

CHANG YI SHIN

2024 PRODUCT CATALOG



TAIWAN
AQUA
PROFESSIONALS



www.tap-faucet.com



ISO 9001:2015



TABLE OF CONTENTS

About Chang Yi Shin

Who We Are 03
 Our Milestone..... 04
 Certification 05
 Design Capability & Manufacturing Capability 06
 Quality Control Capability 07

Technology

Hands Free Sensor Technology 08
 2 Options Sensor Working 08
 Hydro Generator -Optional 09
 Design Your Own Contour Faucet 10

Products

2 in 1 Hands-Free Faucet 12
 ADE & BDE & SIMPLIFIED Collection Design Features..... 14
 ADE Hands-Free Faucet. 15
 BDE Hands-Free Faucet. 16
 Simplified Hands-Free Faucet. 20
 Hands Free Soap Dispenser..... 22
 Accessories. 23

JST CNC

ABOUT JST CNC..... 26
 Why Choose JST CNC..... 26
 Manufacturing Capability. 27
 Quality Management 28
 Industry Application..... 29
 IOT Management 30
 SPC Quality 31





Who We Are

Chang Yi Shin (CYS)– The leading manufacturer & distributor of faucet and plumbing related products.

CYS is located in the mid of Taiwan. From our inception in 1968, we provided OEM machining part services and eventually began from 1996, we upgraded to develop and manufacture faucet and related plumbing product in terms of ODM, OEM and provide private label services with a vision to make job and life simpler. We continue dedicating ourselves to develop innovative products and provide exceptional service to create value for our partners. We seek out all the possibilities to grow together and create long-lasting partnership with our partners.

Our business segments divided into two :

- **FAUCET** : Innovative and able to co-design with you to enhance your value.  T.A.P. is our brand use in local Taiwan market.
- **OEM machining part services** : in the name of JST CNC  to provide advanced OEM machining part services to satisfy your customized needs.

More importantly, we are still brimming with innovative ideas to drive ourselves future-ready to take us– our customers – through the next generations.

Our Milestone

- **1968S**
OEM machining parts
- **1996**
Chang Yi Shin was formally established in Mid of Taiwan, and began producing its own line of faucet
- **2000**
Received CE certificate, products certified to be sold in the Europe

- **2006**
Received FCC certification











- **2007**
ISO 9001 Certified

- **2008**
CYS-210 auto/ manual cold/ hot water adjustable sensor faucet won Taiwan Excellence Award

ECO series TAP-100036 won Taiwan Enterprise Innovation Award

- **2009**
Received CSA certificate to opening doors to markets in Canada and the United States

Received AB 1953 lead free standard certification


- Received Taiwan Water saving Certification

- **2010**
Received UL America & Canada UL1951: Standard for Safety Electric Plumbing Accessories

- **2012**
Received Taiwan Outstanding Enterprise Award

- **2014**
Received IAPMO drinking water system standard NSF/ANSI/CAN 61& lead free standard NSF/ANSI 372

- **2015**
Began stainless steel faucet production

- Received Taiwan CNS8088 Lead free Certification

- **2020**
OEM machining business segment was established

- **2022**
Received REACH and RoHS compliance certificate

- Received Green Mark Certification (recyclable, low-polluting, and resource-saving)

- Received IAPMO Lead free standard NSF/ANSI/CAN61:Q≤ 1




Certifications

 C US Safety standards in Canada Certified	 UL America & Canada UL1951: Standard for Safety Electric Plumbing Accessories
 CNS8088 Lead free	 Water-conserving
 COMPLIANT - COMPLIANT ROHS	 COMPLIANT - COMPLIANT REACH
 IAPMO R&T	 Recycle Green Mark
 C Lead free NSF/ANSI/CAN61:Q≤ 1	 C Water temperature ASSE1070/ ASME A112.1070/ CSA B125.70

Certificate of Registration

This is to certify that the
QUALITY MANAGEMENT SYSTEM

of
Chang Yi Shin Enterprise Co., Ltd.
No. 15-1, Pu-Wei Lane, Torun Li, Lukang Township, Changhua County, TAIWAN, R.O.C.

for
Design and Manufacture of Faucet and Accessories

has been assessed and registered against the provisions of
ISO 9001:2015
International Standard with

Registration Number:	17QMA31280
Registration Date:	12 Dec., 2017
Issue Date:	11 Dec., 2020
Expiration Date:	11 Dec., 2023
Cycle Start Date:	12 Dec., 2020
Certification Approved:	





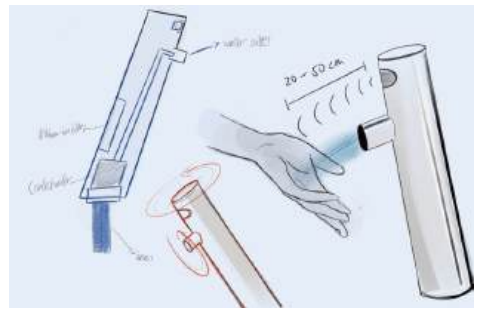
UNIVERSAL CERTIFICATION SERVICE CO., LTD. Management System Certification MS008

1. This certificate is the property of Universal Certification Service Co., Ltd. 4F-1, No. 21, Sec. 4, Nanjing E. Rd., Songshan District, Taipei City, Taiwan, R.O.C.
2. The Registration Information and authority of this certificate can be confirmed at www.ucscert.com.tw
3. Registration is subject to the management system being continuously maintained to the above standard under regular surveillance audit. Should surveillance audit not take place when required, registration shall be removed.

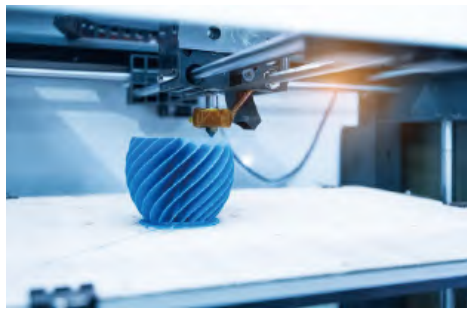
The key to our success lies in providing maximum flexibility.

Development and Design Capability

With more than 25 years experience in sensor plumbing design, development and manufacturing, we have the knowledge, skills and experience to deliver specialized plumbing solution. In addition, we have multiple patents that can be customized and protect your projects. Co-design with you is available to enhance your value.



Sketch



3D printer



Patented 40+

Manufacturing Capability

With more than 50 years manufacturing experience to deliver for a wide range of applications to a diverse range of customers. Also, we continually invest in the latest technology such as industry 4.0, so, whatever your customized requirements, we can do it and deliver what you need.

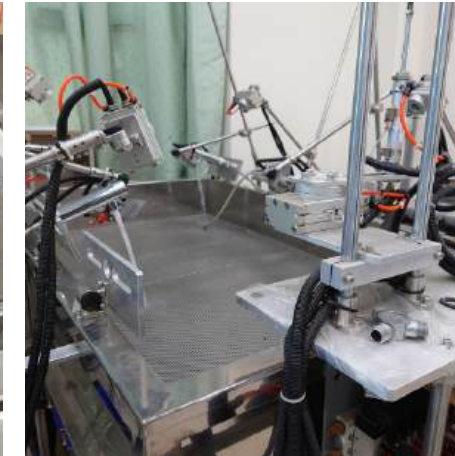


Quality Control Capability

Reliability built in — In house laboratory — follow standard of ASME A112.18.1/ CSA B125.1-18 & ASSE1070 (ASSE1016)



Salt Spray test



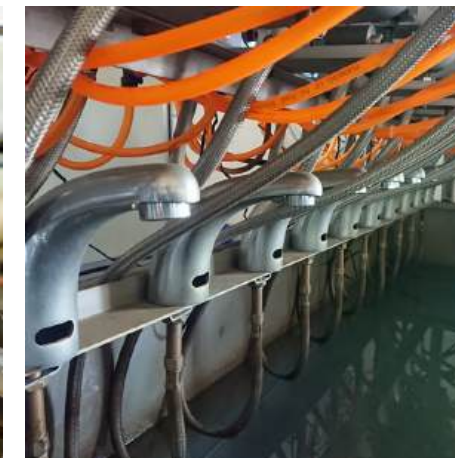
Life & Flow rate test



Water temperature test



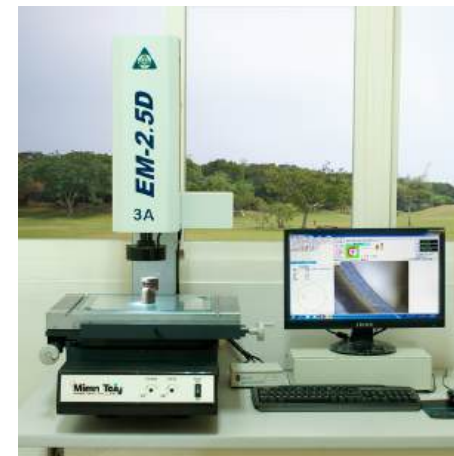
Hydrostatic pressure test-1



Hydrostatic pressure test-2



Mahr MarSurf CD120 Contour Measuring System



2.5D image measuring instrument



Surface Roughness Test



Image Dimension Measuring System



Technology



【Hands Free sensor technology】

- **More hygienic** : contact free to reduce the risk of cross- contamination and prevents spread of germs.
- **Easy to use** : Intuitive user design, water will flow when your hand close to the sensor's range, and turnoff when your hand away.

【2 options sensor working】

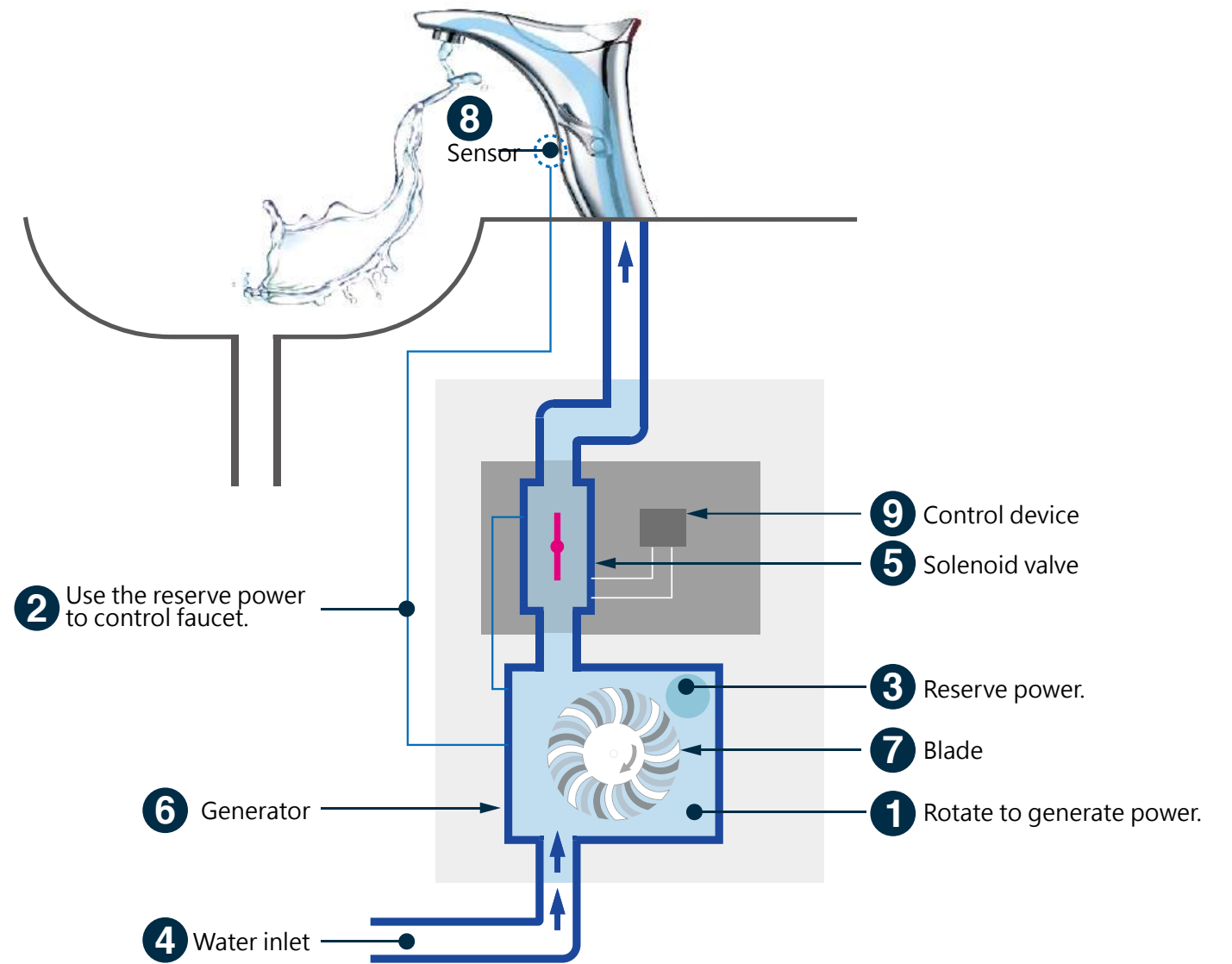


Turn off automatically after 8sec.

- Option 1: hand close to the sensor's range to activate water flow and turn off automatically after 8 sec.



- Option 2: hand wave at the sensor's range to activate water flow, wave again to stop it (default 1 min to stop it).



【Hydro Generator -Optional】

- Batteries are charged automatically when water is opened every time , No wiring or power outlet required.

Advantages:

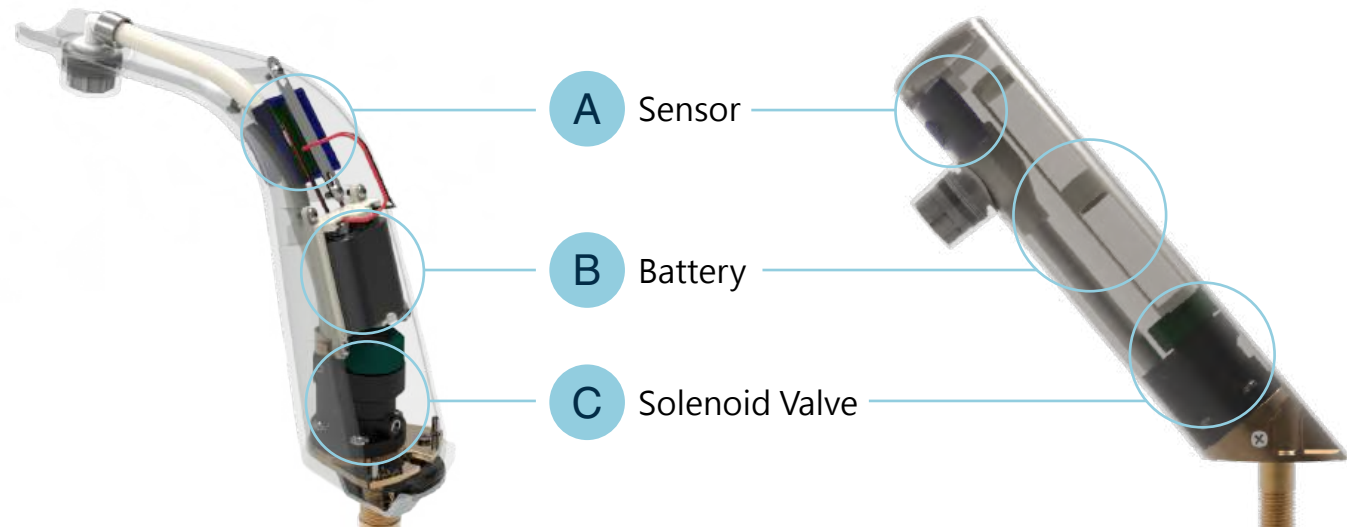
- Self sufficient — Water flow still can be generated at 0.5gpm
- Renewable
- Clean source
- Emission Free
- Reliable
- ECO Friendly

【Design your own Contour faucet】

- Offer our flow control module design to CREATE YOUR OWN CONTOUR EXCEPTIONALLY FAUCETS

Advantages:

- High quality control module provides reliability and longer Lifetime.
- Multiple types of control module for your choice to design your own contour faucet.
- Shorten your development schedule.



A Sensor

B Battery

C Solenoid Valve



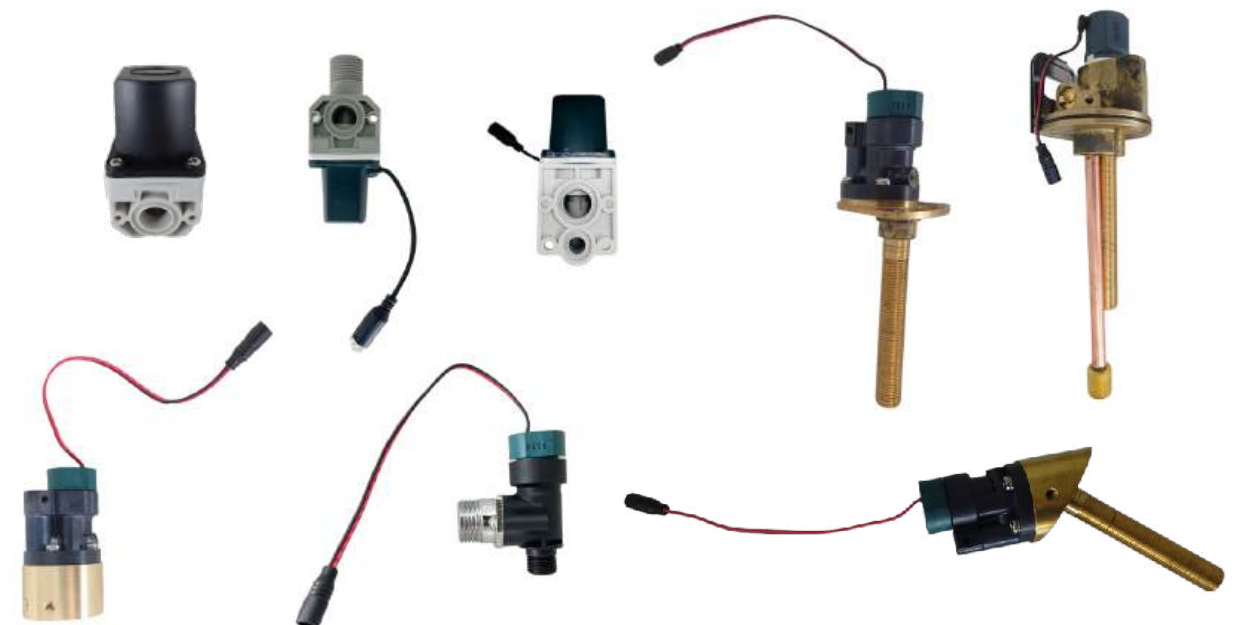
A Sensor



B Battery



C Solenoid Valve

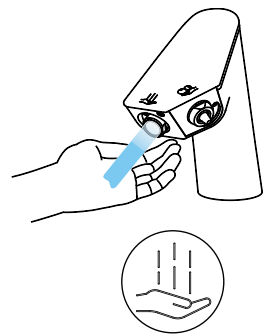


2 in 1 Water Flow with Soap Dispenser Hands-Free faucet

Design Concept

Inspired by without changing basin hole, space save, clean and simple lines of the use of water and soap integration for hand hygiene to prevent the spread of infection.

Here is the Breakthrough faucet design in the integration of water flow and soap dispensing to make life easier.



Automatic water supply



Automatic soap dispenser

2 in 1 Water Flow with Soap Dispenser Hands-Free faucet AC mode

Design Features

【 Unique 2 in 1 design 】

- Integration of water flow and soap dispenser.

【 Ease of mind 】

- Free from soap dispenser stolen and Low maintenance.

【 Save space 】

- Free from placing soap dispenser.

【 Hands free-easier and more hygienic 】

- Contact free to reduce the risk of cross-contamination and prevents spread of germs.

【 Save water 】

- Water save design and automatic turn off when your hand away and prevent forgetting to turn off the water.

【 Save money 】

- Free from reform your basin, single hole deck mounted type. Reduce water use in your home and save money on water bills.

【 Cleaner 】

- Free from dropping soap at the counter.

【 Easy to use 】

- Intuitive user design, water flow and soap dispense when your hand close to each sensor, and turn off when your hand away.

【 AC power operation 】

- No battery needed.

【 Soap auto flush 】

- Flows soap for one cycle after every 12 inactive hours to prevent clogging.

【 Optional-purchase separately 】

- Temperature mixing valve (refer page23).



ADE & BDE & SIMPLIFIED Collection Design Features

【Hands free-easier and more hygienic】

- Contact free to reduce the risk of cross-contamination and prevents spread of germs.

【Save water & money】

- Water save design and automatic turn off when your hand away and prevent forgetting to turn off the water. Save water means save money on you water bills.

【Easy to use】

- Intuitive user design, water flow and soap dispense when your hand close to each sensor, and turn off when your hand away.

【AC/DC】

- For continuous operation with AA battery for back up power, you can choose plug in AC adaptor or (4) AA battery (DC).

【Power-saving design】

- New battery power last over 300,000 times .

【Worry-Free】

- No need to worry about overflow, water turns off afer 30 sec of inactivity.
- Fast response time: 0.3 sec.
- Sensing distance adjustable.
- Low power red light stays lit.

【Optional】

- Hydro-generator - ECO friendly and make a sustainable and valuable contribution to our planet.
- Temperature mixing valve.



CNS8088
Lead free



Water-conserving



Recycle Green Mark



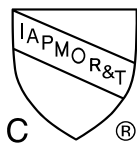
Safety standards in
Canada Certified



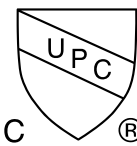
NSF/ANSF/CAN372



Drinking Water
NSF/ANSF/CAN61



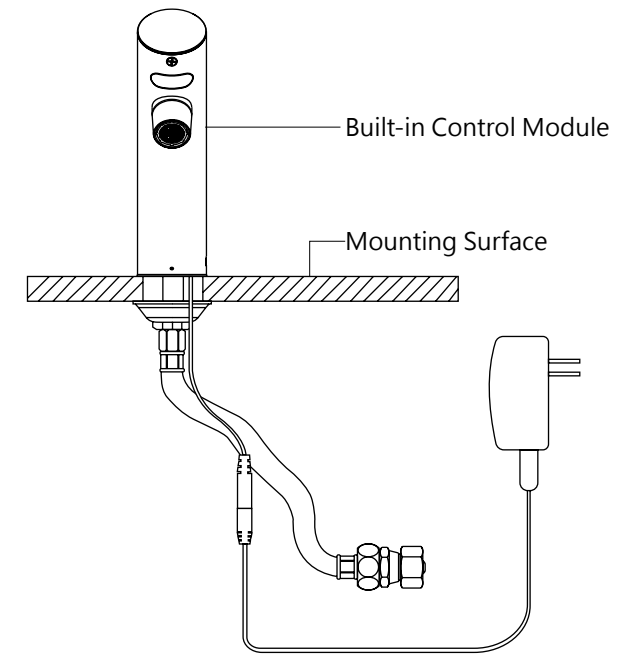
Lead free
NSF/ANSI/
CAN61:Q≤1



Water temperature
ASSE1070/ ASME
A112.1070/ CSA
B125.70

ADE collection

Above Deck Electronic Faucet is BUILT IN control module, this design concept provides easy access, simple installation, and the most simplest maintenance.

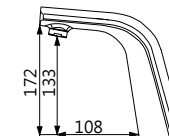


Ordinary temperature water



145022
Single Hole Deck mount
AC or DC model

NEW **PATENTED**

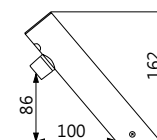


Sensor at water outlet

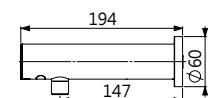


145021
Single Hole Desk Mount
AC or DC model

NEW

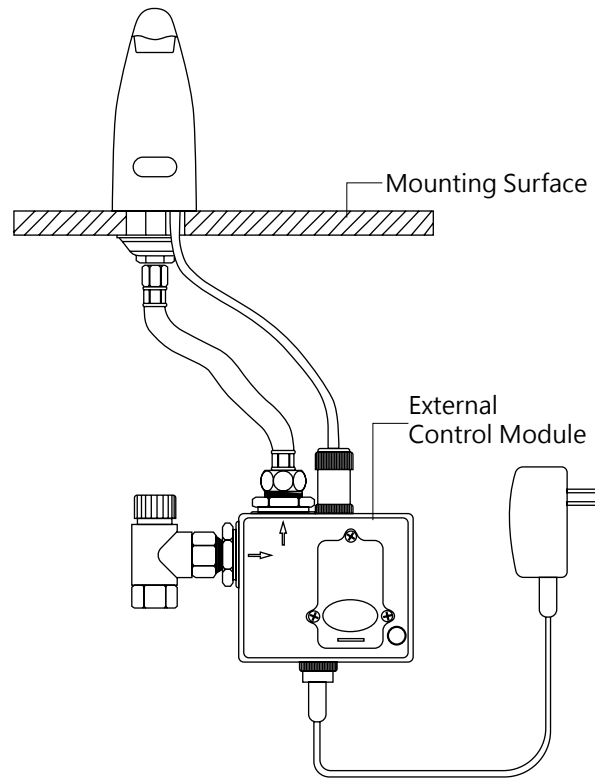


145020
Single hole Wall Mount
AC or DC model

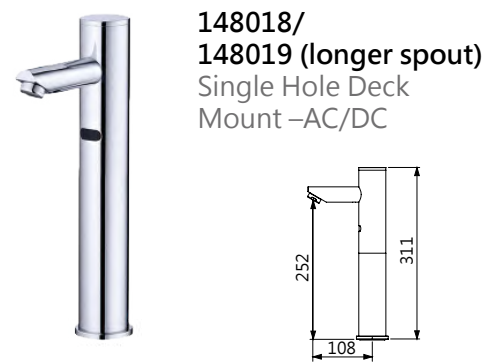
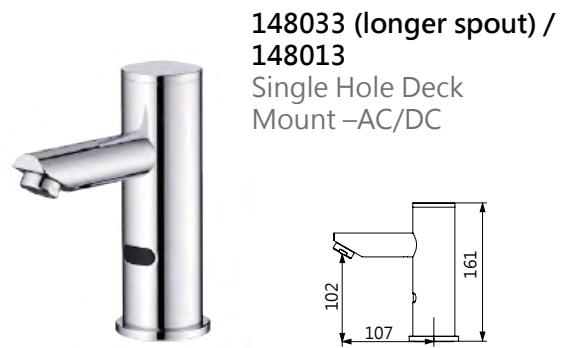


BDE collection

Blow Deck Electronic Faucet is EXTERNAL control module to activate water, sensor cable from spout body connected to control box to enable hands-free operation via hands wave at the sensor detection range.



Deck mounted

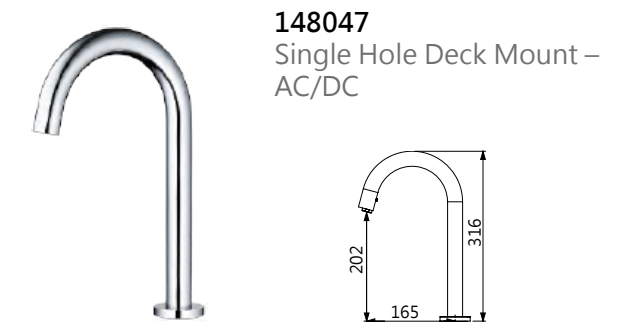
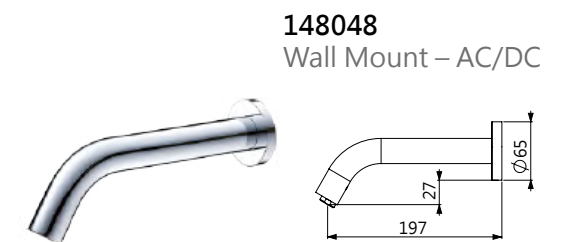


BDE collection

Deck mounted



Sensor at water outlet



BDE collection

BDE collection

Auto/ Manual

Goose neck-w 360 ° swivel spout



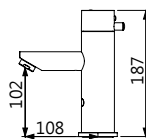
Manual Mode



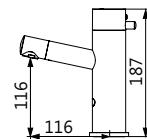
Automatic Mode



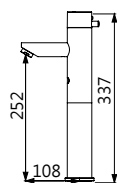
142003
Single Hole Deck
Mount – AC/DC



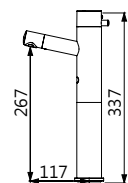
142005
Single-hole Deck
Mount – AC/DC



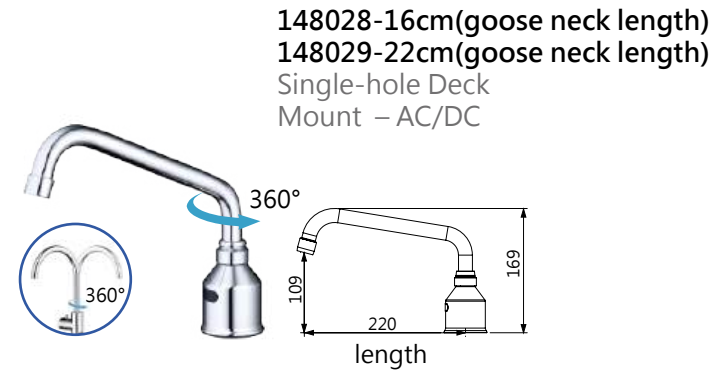
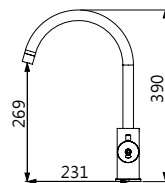
142007
Single-hole Deck
Mount – AC/DC



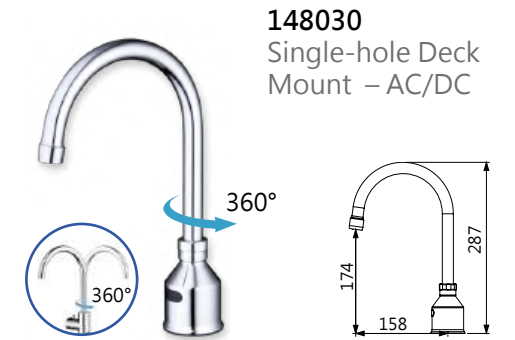
142010
Single-hole Deck
Mount – AC/DC



142021
Single Hole Deck
Mount with 360 °
swivel spout-AC/DC



148028-16cm(goose neck length)
148029-22cm(goose neck length)
Single-hole Deck
Mount – AC/DC



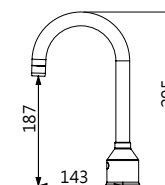
148030
Single-hole Deck
Mount – AC/DC

Goose neck-w/o swivel

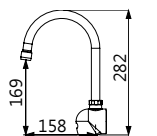
Wall mounted



148007
Single-hole Deck
Mount – AC/DC

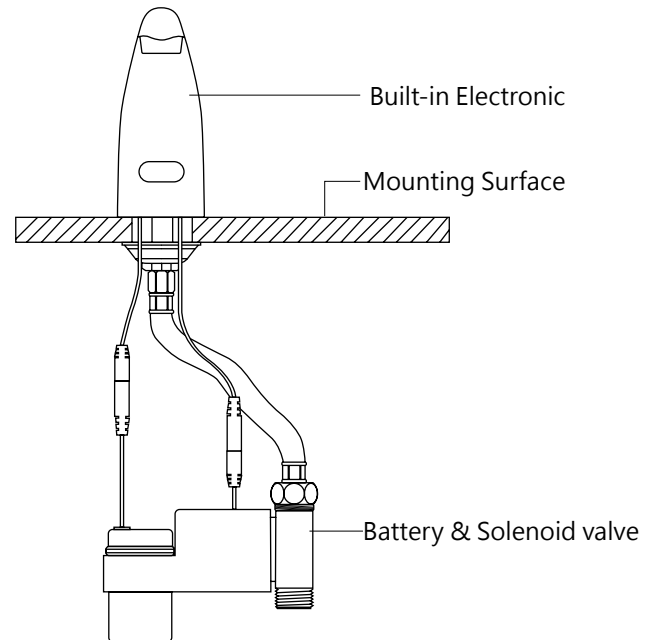


148025
Single Hole Wall
Mount with 360 °
swivel spout-
AC/DC



SIMPLIFIED collection **NEW**

Simplified collection is to make cost more affordable. It is electronic integrated in spout body and control box keeps battery and solenoid valve only.

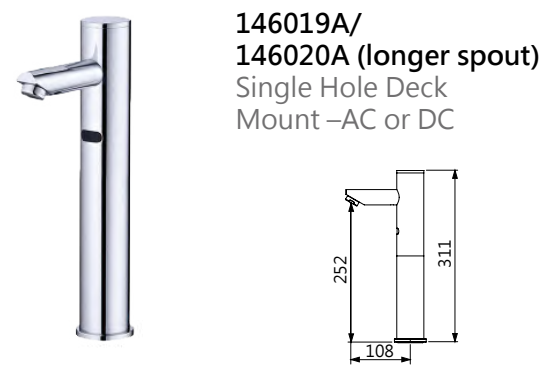
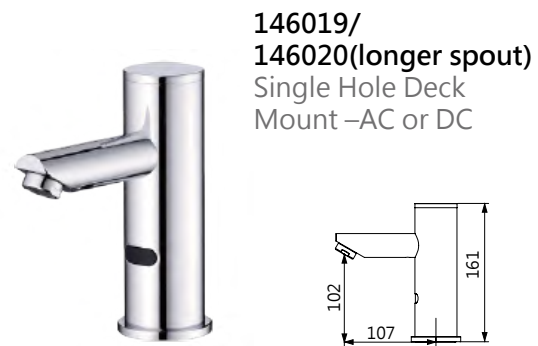


SIMPLIFIED collection

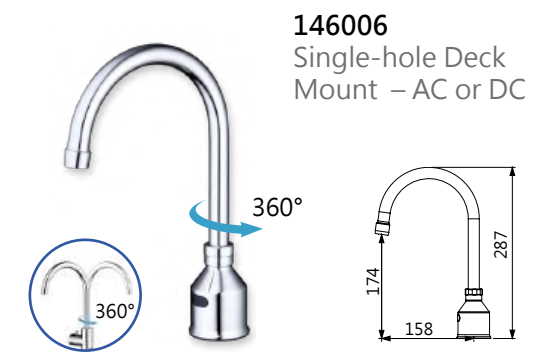
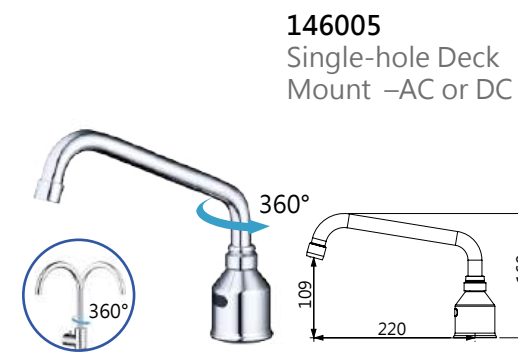
Deck mounted



Deck mounted



Goose neck-w 360° swivel spout



Gosse neck-w/o swivel



Sensor Faucet & Hands-Free Soap Dispenser



Hands-Free Soap Dispenser



151501
Soap liquid type

151505
Soap foaming type

151503
Soap foaming type

Design Features

【 Hands free-easier and more hygienic 】

- Contact free to reduce the risk of cross-contamination and prevents spread of germs.

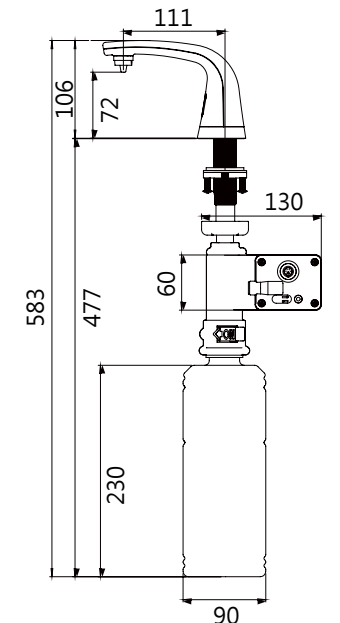
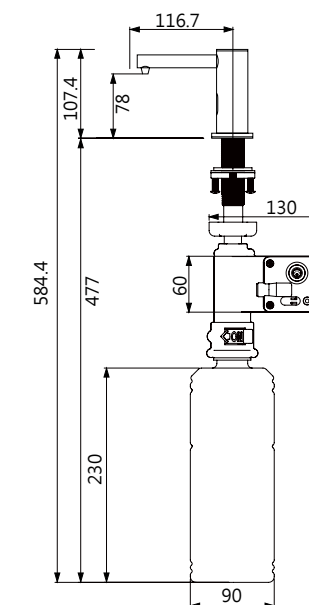
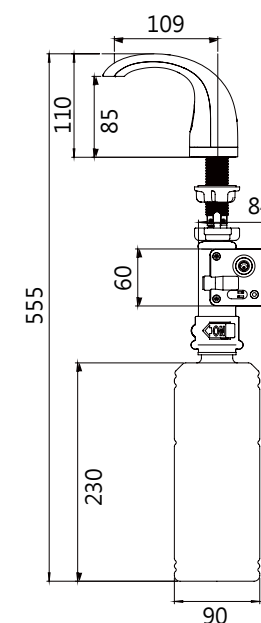
【 Single Hole Deck Mount 】

- Perfect fit to your counter and theft prevention.

【 AC/DC option 】

- Plug in AC adaptor or (1) D battery (DC)
- 1000 ml soap canister capacity
- New battery lasted for over 300,000 times
- Soap dispensing time setting adjustable

Adjust the time of dispensing soap	S1	S2
0.5sec	OFF	OFF
1.2sec	ON	OFF
1.5sec	OFF	ON
2sec	ON	ON

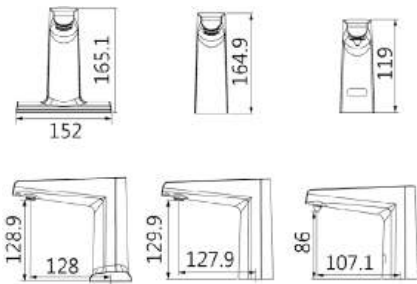


Sensor Faucet And Hands-free Soap Dispenser

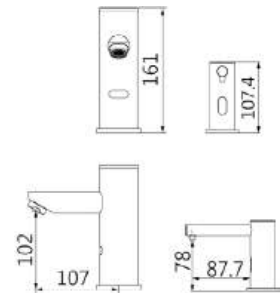
- Soap foaming type
- Soap liquid type



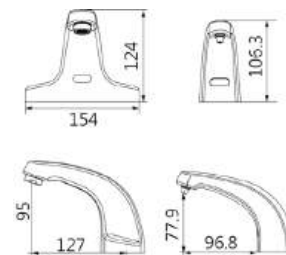
148082 & 148081 & 151514



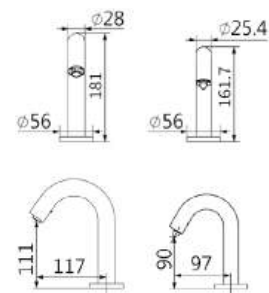
148013 & 151505



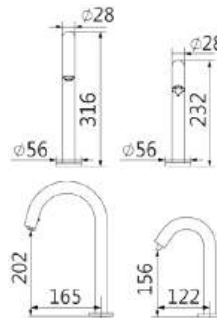
148005 & 151509(151510)



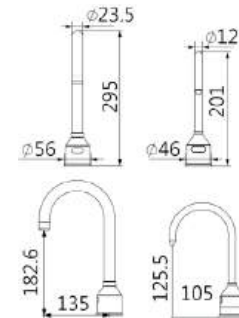
148045 & 151512



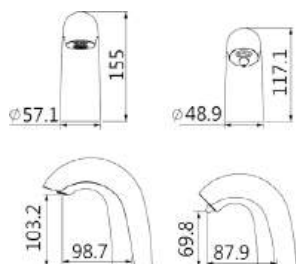
148047 & 151507



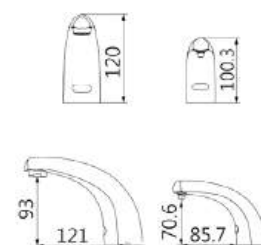
148007 & 151511



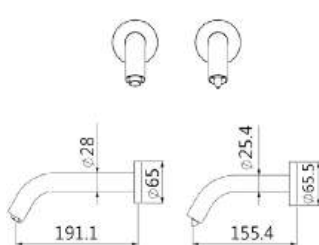
148083 & 151515



148001 & 151513



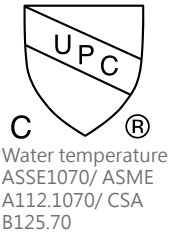
148048 & 151508



Auto Thermostatic Mixing Valve

Blends hot water with cold water to ensure constant, safe outlet temperatures preventing scalding.

- Default setting at 38°C .
- Rapid response thermostatic element.
- Vernet TMV.
- Check valve included to prevent backflow.
- Lead free.



3550030
T-Shape



3550012
T-Shape with handle



3550028
T-Shape



3550027
T-Shape with handle



3550004
M-Shape



3550010
M-Shape with handle



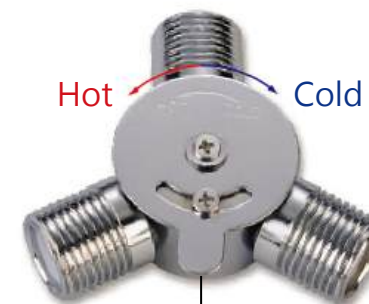
3550005
Y-Shape



3550029
H-Shape

Manual Thermostatic Mixing Valve

- Manual adjustable Hot & Cold water to your desired water temperature has a locking mechanism preventing scalding.
- Check valve included to prevent backflow.
- Lead free.



3550001

Adjust lever



3550009

Foot Pedal Control Device

Step on and off the pedal to control the water.



151005
Step once on the pedal to get water, step once again to stop water.
Option: Battery and AC adaptor



151007
Step on the pedal to get water, release the pedal to stop water.
Option: AC adaptor

External Sensor Water Flow Control Device

Flexible and customize to fit to your need.



148009(A+B+C)
Step once on the pedal to get water, step once again to stop water.
Option: Battery and AC adaptor

A Spout

B IR Sensor
Hand wave at the sensor area to activate water flow or away to stop water.



151007(B+C)
Step on the pedal to get water, release the pedal to stop water.
Option: AC adaptor

C Filter adaptor
Remove sediment, sand, silt and dirt from water to provide you clean water usage.

Accessories



154038
Control box



02600005
Hydro-generator
Refer to page 9 for it functions and features.



524004
Wall mount Manual Soap Dispenser
size:80 x 130 x 230



554008
Wall mount Plastic Auto Soap Dispenser
size:108 x 110 x 270



554009
Wall mount Stainless Steel Auto Soap Dispenser
size:115 x 110 x 270



554013(Alcohol)
554014(Soap foaming)
Wall mount Stainless Steel Auto Soap Dispenser
size:115 x 110 x 270



JST CNC-OEM machining component

JST CNC is our another business segment focus on OEM machining component, even though JST CNC is new established in 2020, but with over 50 years of experience in machining part and aim to provide total solution to our customers.

Adding IOT connectivity to machinery provides full visibility of assets and monitoring production. It supports streamlined business operations, optimized productivity and improved ROI. JST CNC continued dedicated it self to become a cloud manufacturing factory/ real-time viewing production.

Why Choose JST CNC

- Able to produce complicated and various kind of metal components to meet your needs.
- Able to co-work with you to provide suggestion .
- IOT connectivity real-time monitoring production status.
- Ensure on time delivery.

Manufacturing Capability

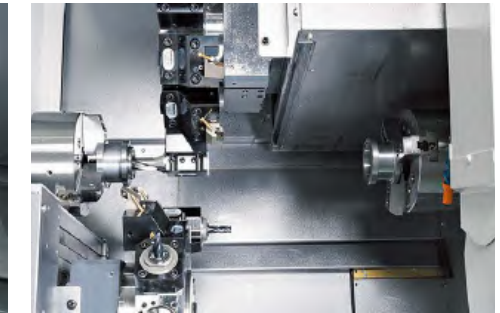
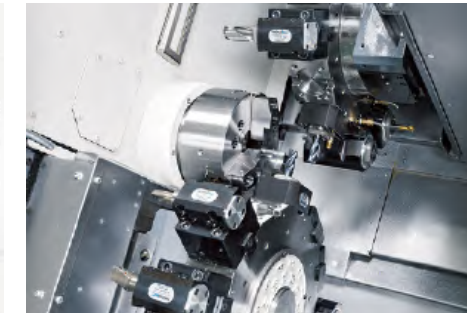
- Provide various manufacturing process to meet your needs.

Manufacturing equipment:

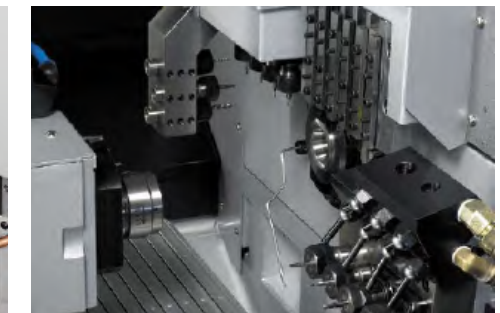
- Nakamura WY 150 Turning and Milling Center
- Cincom L32 LFV (Low Frequency Vibration) Cutting CNC lathe
- Japan TSUGAMI BO325 SWISS CNC
- Forging machining machine
- CNC lathe
- CNC milling
- Combination Lathe and milling machine
- Grinding machine
- Smart 17 axis machining machine
- Robotic machine



Nakamura WY 150 Turning and Milling Center



Cincom L32 SWISS CNC



Robotic machine



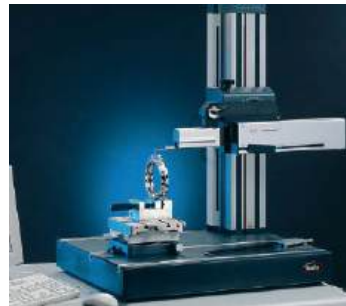
Forging



Quality Management

Follow ISO9001 quality standard and implement PDCA working model consistently provide high quality and services to you, strict quality control from incoming, in process, finished until outgoing.

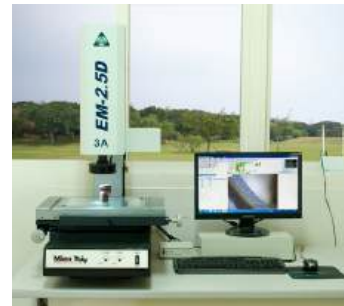
Inspection Equipment:



Mahr MarSurf CD120



Image Dimension Measuring System



2.5D image measuring instrument



Mitutoyo Surface Roughness Test

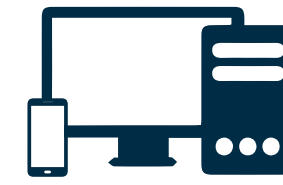
Industry Application



Plumbing



Hardware



3C Products



Construction



Medical Equipment



Bicycle



Motorcycle



Automotive



Airplane



Ship

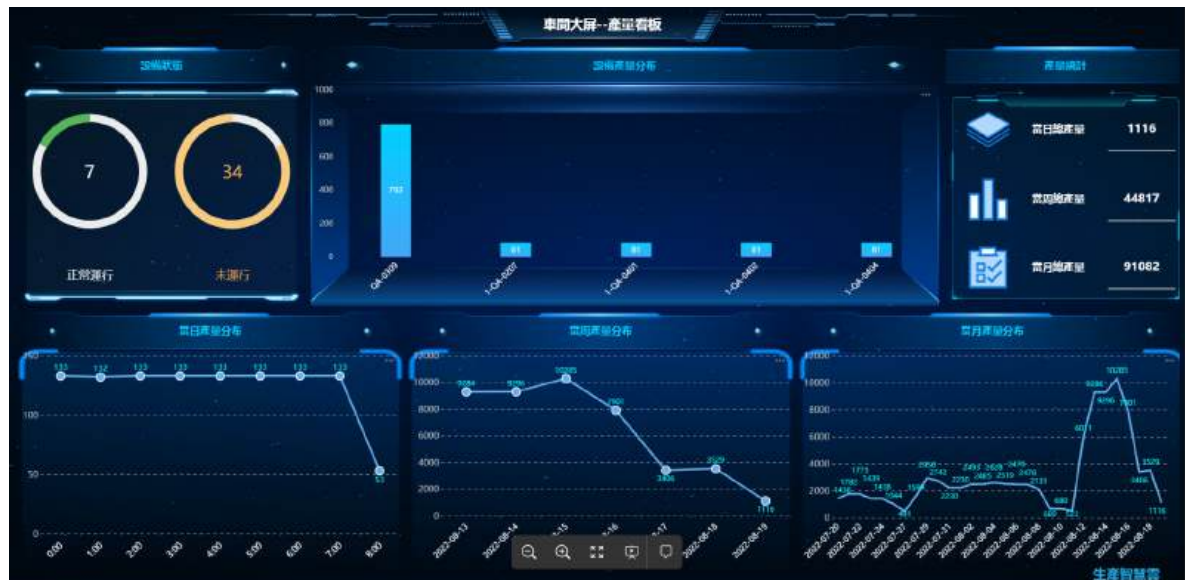
Material:

- Iron
- Steel
- Free cutting steel
- Carbon steel
- Chrome molybdenum steel
- Stainless steel
- Brass
- Alloy



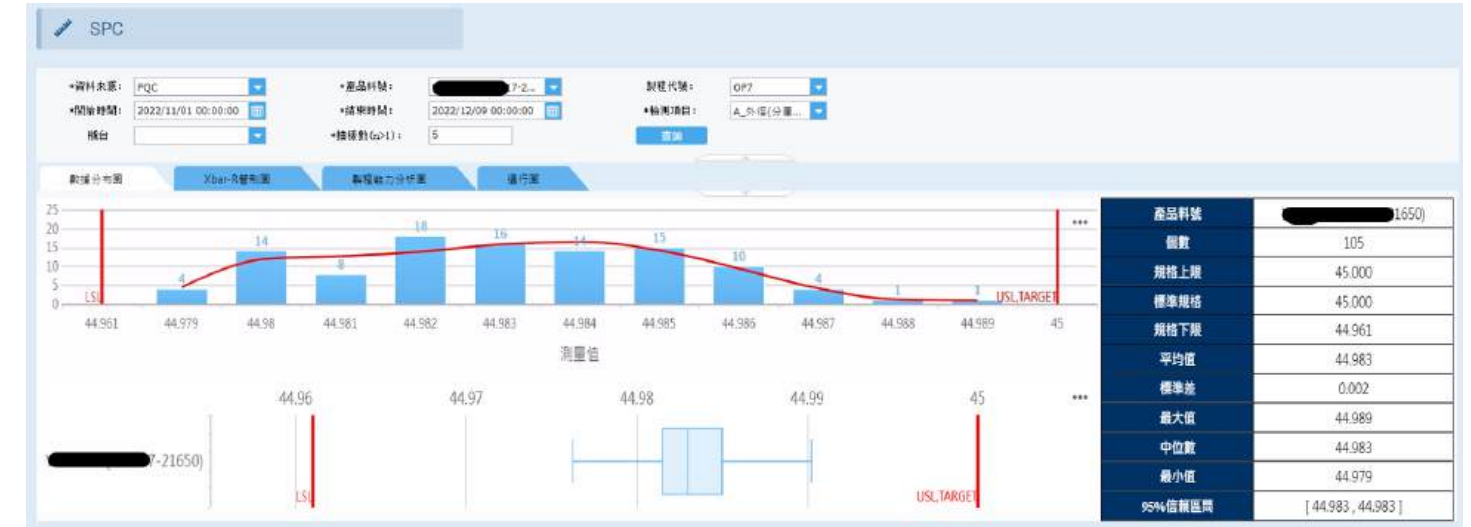
IOT Management

JST CNC applies real-time data from the site, monitoring the production to ensure the production process and reduce rework problems, stabilize the production supply chain, and provide real-time data to customers.



SPC Quality

JST CNC quality control department applies a large amount of testing data to stabilize product quality, quality tracking, data collection, customer satisfaction.



CYS



CHANG YI SHIN CO., LTD.

TEL:+886-4-7710685

Fax:+886-4-7714702

www.tap-faucet.com

Service Mail:services@changyishin.com.tw

No.15-1,Puwei Lane.,Lukang Township,Changhua County 505,Taiwan(R.O.C.).